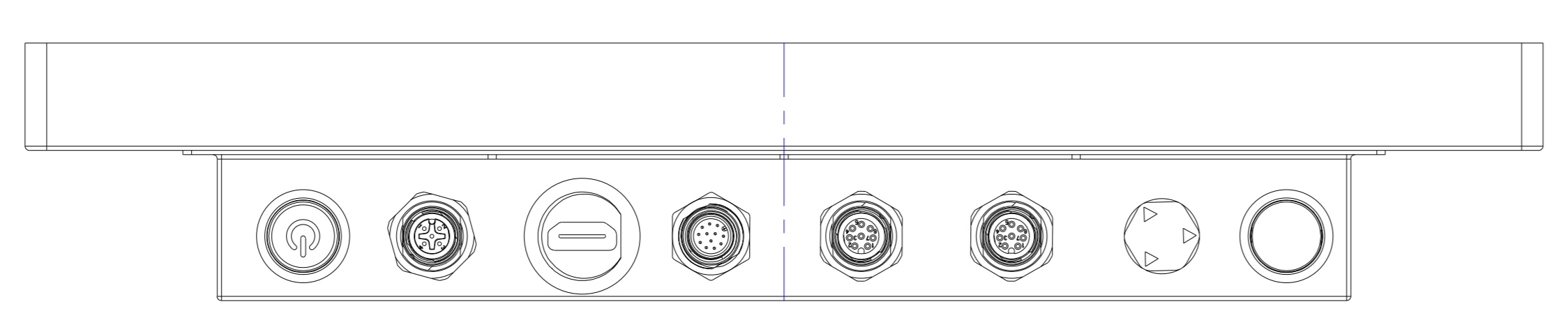
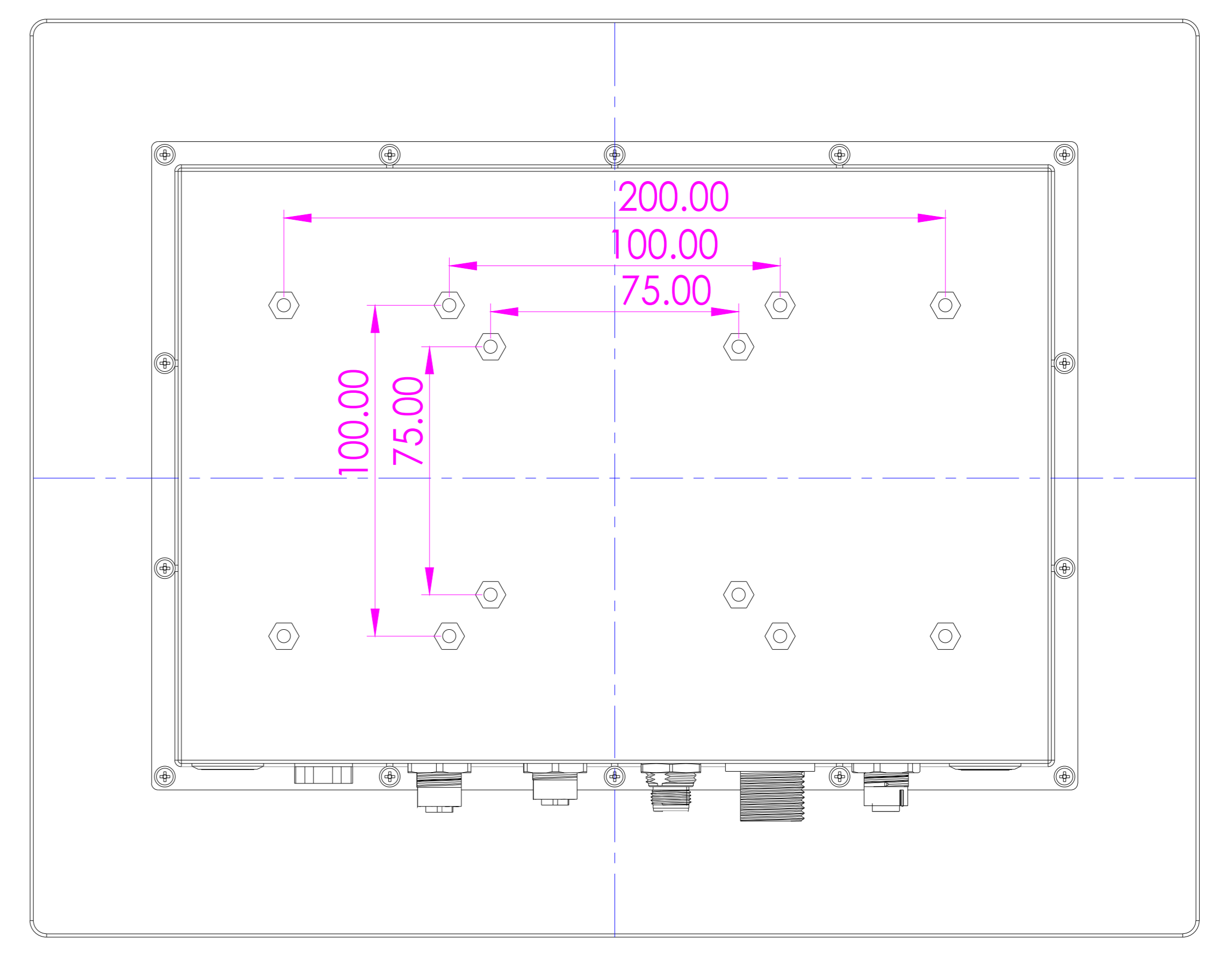
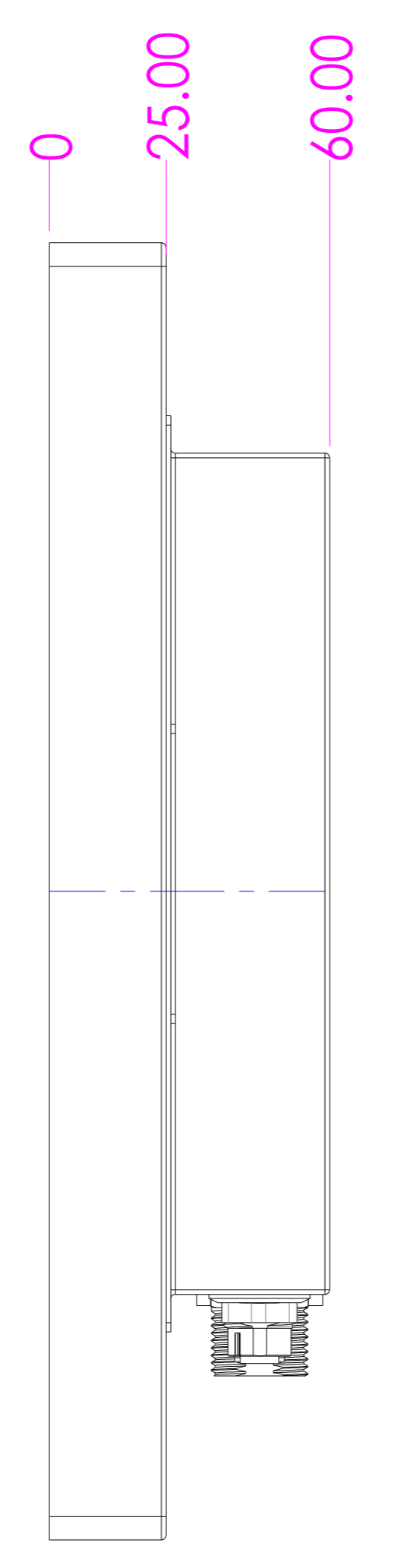
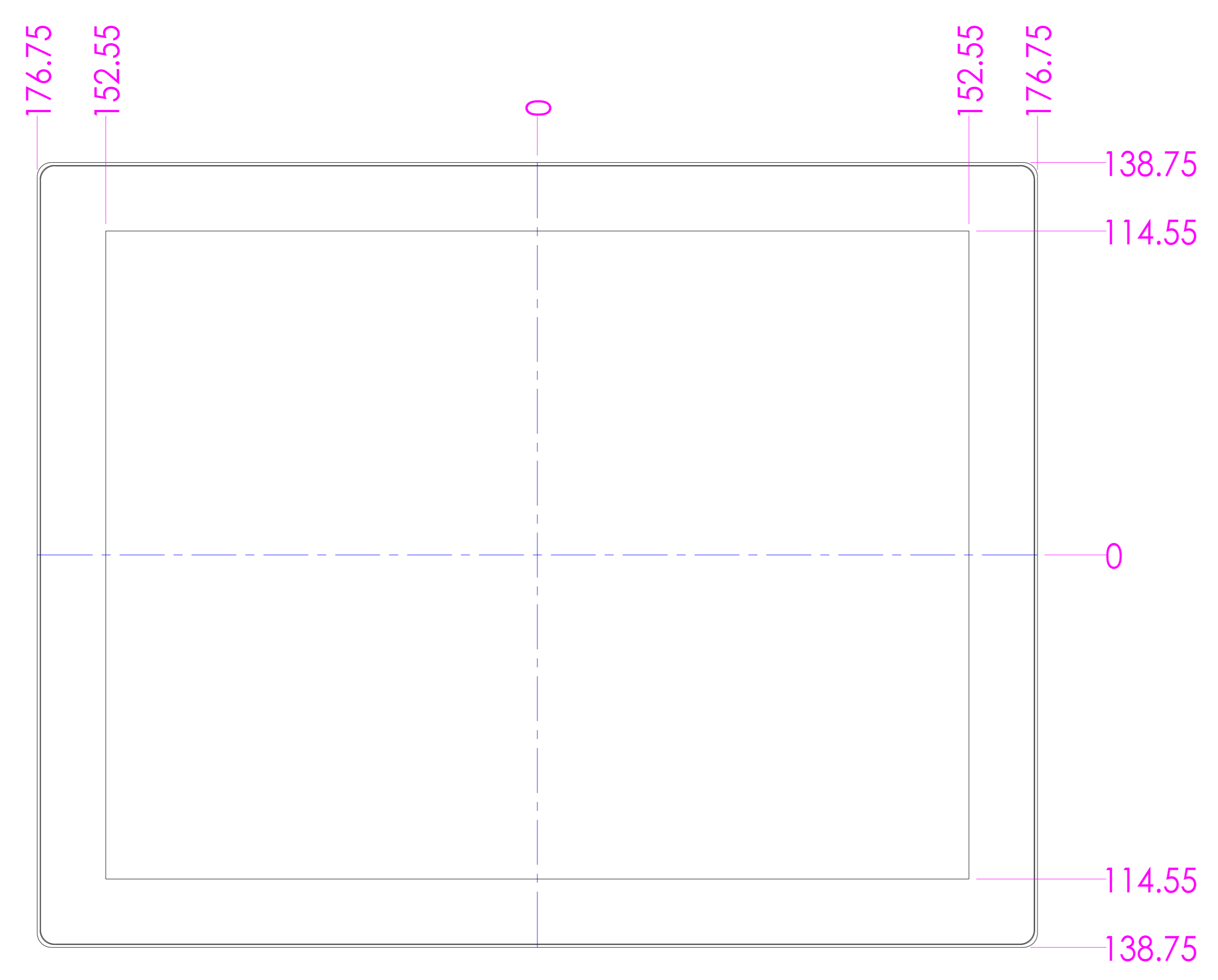
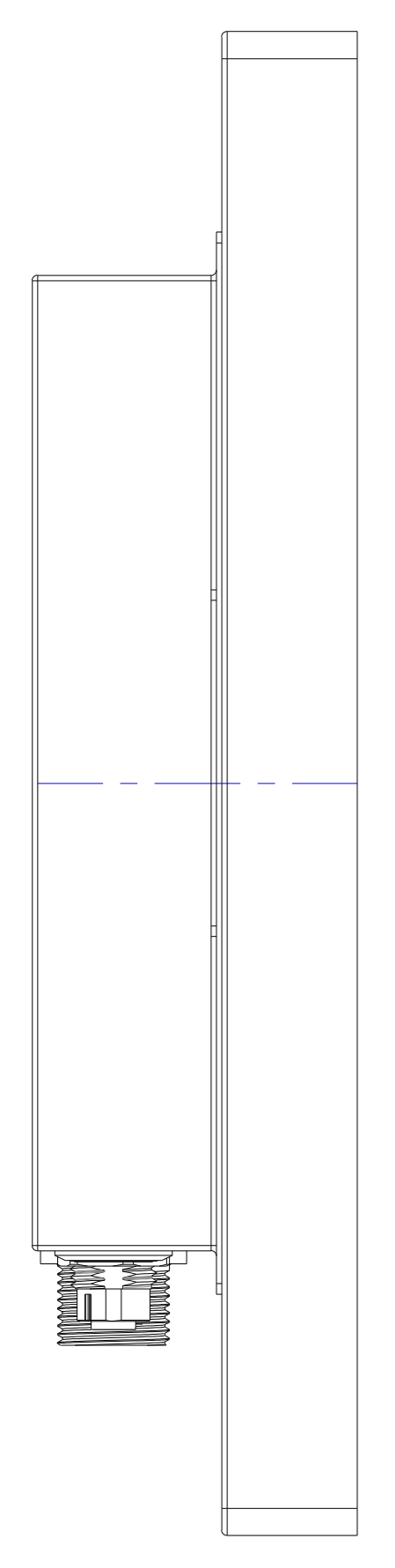
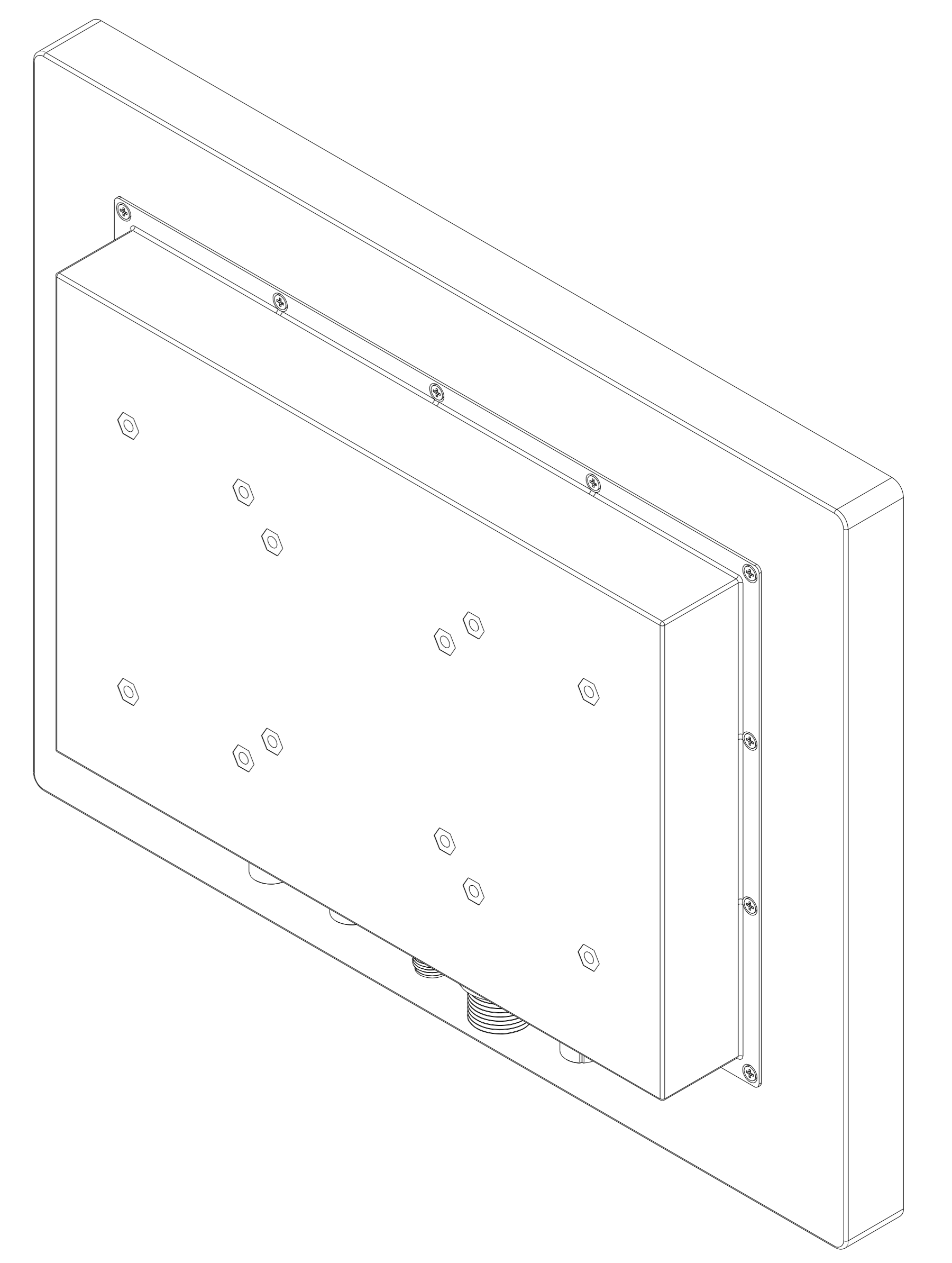
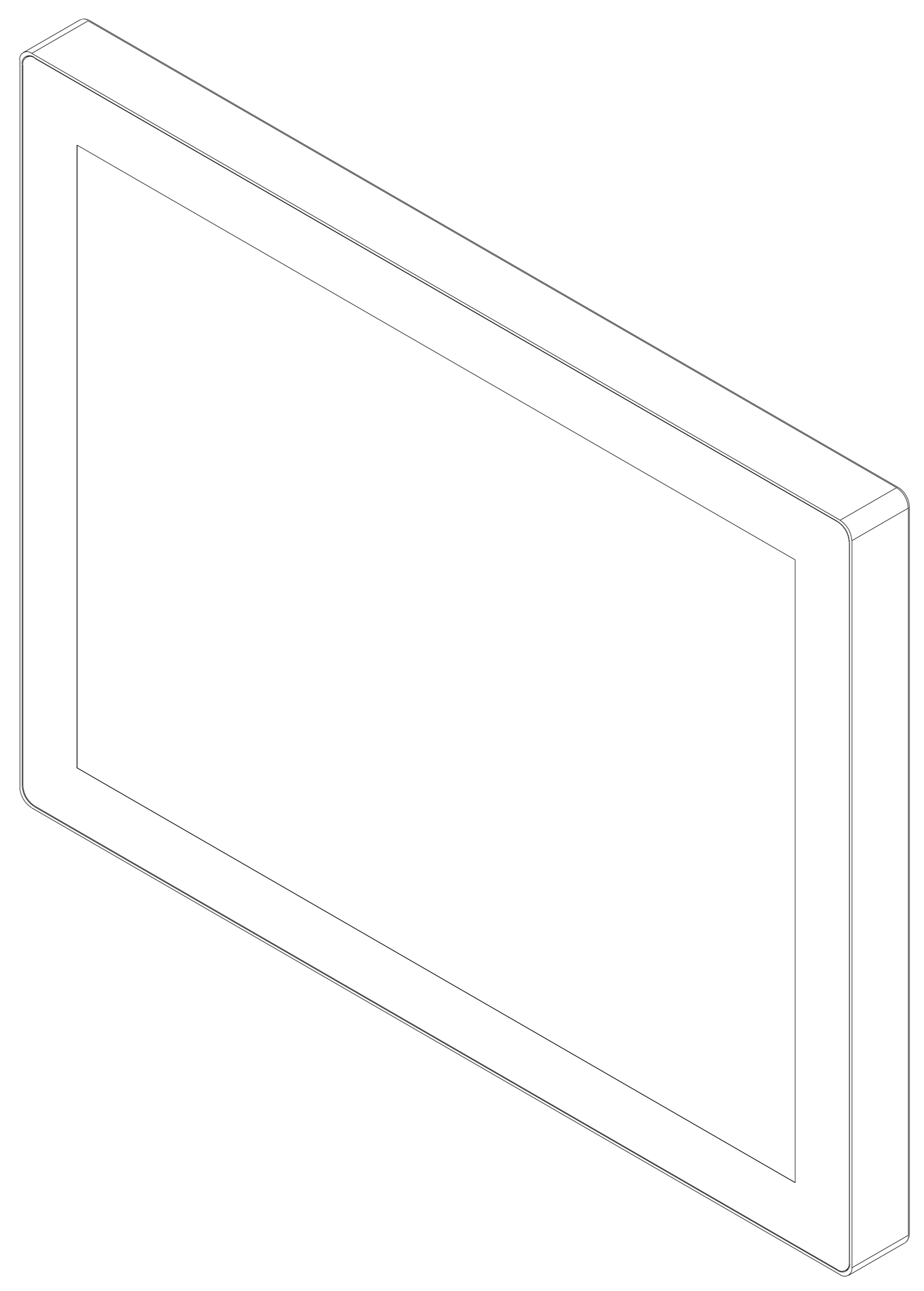
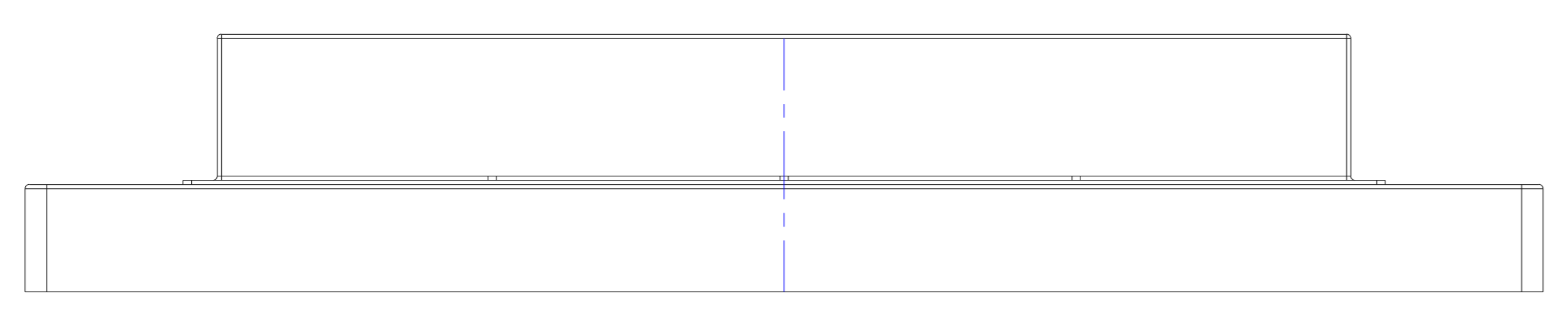


1 2 3 4 5 6 7 8 9 10

A
B
C
D
E
F
G
H



REVISION				
MARK	DATE	REVISION RECORD	REVISER	ECN NO.
TOLERANCE		APPROVED:	SCALE	1:2.5 UNIT mm
0mm-15mm	±0.10	Tina	MATERIAL:	
15mm-30mm	±0.10	CHECKED:	品名: RSD150EK-N6	
30mm-50mm	±0.15	Tina	規格:	
50mm-120mm	±0.20	VERSION:	FINISH:	
ABOVE 120mm	±0.25	Tina 2024/02/06	REVISION NOTE.	
CENTER	±0.10	DRAWING:	DWG NO.	
ANGLER	±0.50°	Tina 2024/02/06	Rev 1.00	
			FBD4666_100	

輔晟科技有限公司
TEL: 886-4-2296-9886 FAX: 886-4-2296-9887

品名: RSD150EK-N6
規格:

DWG NO. FBD4666_100

A2

1 2 3 4 5 6 7 8 9 10