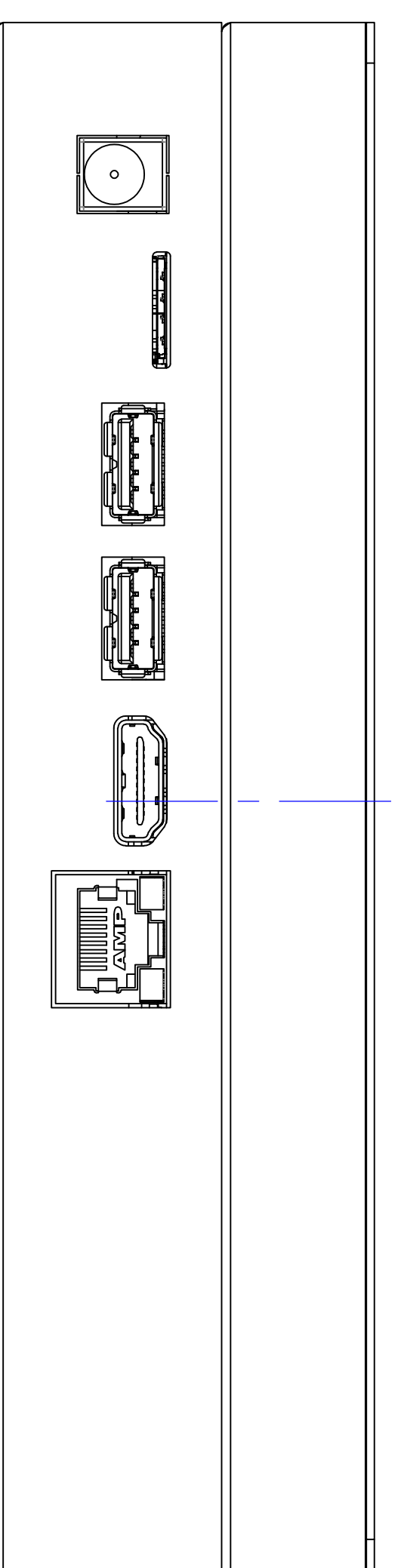


Note :

Touch+Panel : ST70IPS1024600-C-DE090



MARK		DATE	REVISION RECORD		REVISER	ECN NO.
<p>REVISION</p>						
TOLERANCE			APPROVED:	SCALE	UNIT	mm
0mm-15mm	±0.10	Romy	1:1			
15mm-30mm	±0.10	CHECKED:	MATERIAL:			
30mm-50mm	±0.15	Romy				
50mm-120mm	±0.20	VERSION:	FINISH:			
ABOVE 120mm	±0.25	Romy 2022/09/27				
CENTER	±0.10	DRAWING:	REVISION NOTE:			
ANGLER	±0.50°	Romy 2022/09/27	Rev 1.00			
<p>TEL:886-4-2296-9886 FAX:886-4-2296-9887</p> <p>品名: FOP070E1 规格: Main Board : MBE71</p>			<p>輔景科技有限公司</p>			
<p>DWG NO.</p>			<p>DWG NO.</p>			