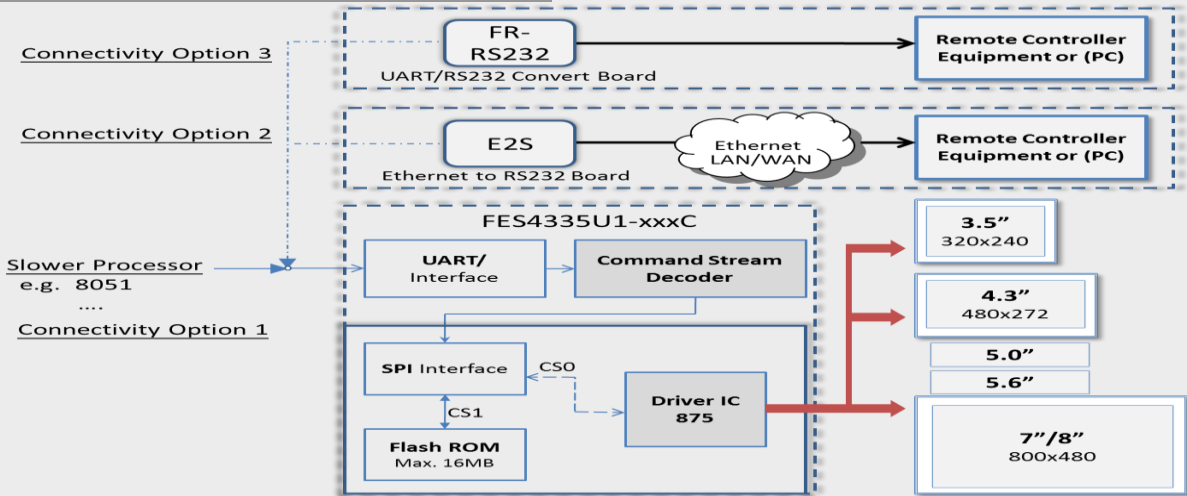


# FES4335U(w/pcap) TFT-LCD Graphics Control Module

## Architecture Diagram



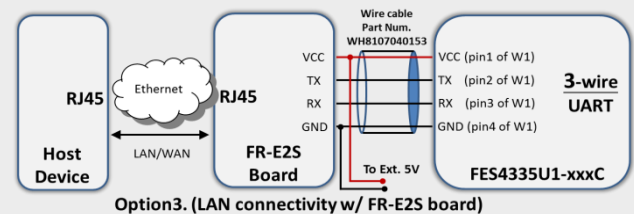
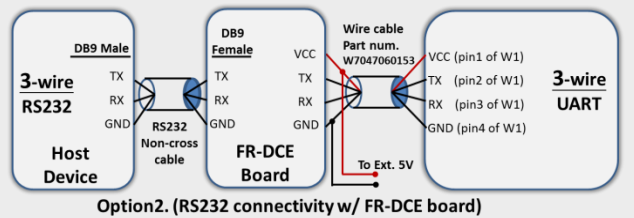
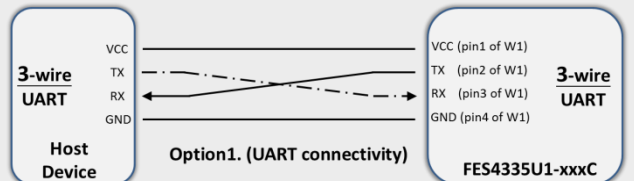
## Features

- Serial Interface : UART.(115200/N/8/1)
- Provide functions “**Commands Table**” for user's application.
- The available catalog listing of **Commands Table**
  - ▾ System Control.(Touch,Brightness,Gpio...etc.)
  - ▾ Memory Rd/Wr.(FlashROM, D-buffer...etc.)
  - ▾ Graphic Cursor. (Standard, User's )
  - ▾ Character Font display.(Standard, User's Font)
  - ▾ Geometry Drawing.
- Support Max. TFT-LCD resolution up to 800X480 with **Capacitive Touch** Panel Controller.
- Built-in a 8MB FlashROM provide for 10 frame of (800x480)image data storage.
- Provide GPI x4, GPO x4. (w/ 5v tolerance)
- Font Enlargement Function x1, x2, x3, x4 in Horizontal / Vertical Direction.
- Application:
  - ▾ handheld device, data collection node, elevator, vending machine, photo frame.
- Power supply : 5V
- Operation Temperature : -20°C to 70°C

## PHOTO



## Optional Connectivity



## Ordering Information

Part number : FES4335U1-mnC

### Input Specification:

U: UART interface.

- 1: with 8MByte of SPI\_FlashROM.
- 2: with 16MByte of SPI\_FlashROM.

### Output specification:

- mn = “35” - 3.5” 320x240 TFT LCD panel.
- = “43” - 4.3” 480x272 TFT LCD panel.
- = “50” - 5.0” 800x480 TFT LCD panel.
- = “70” - 7.0” 800x480 TFT LCD panel.
- C: with Capacitive Touch.