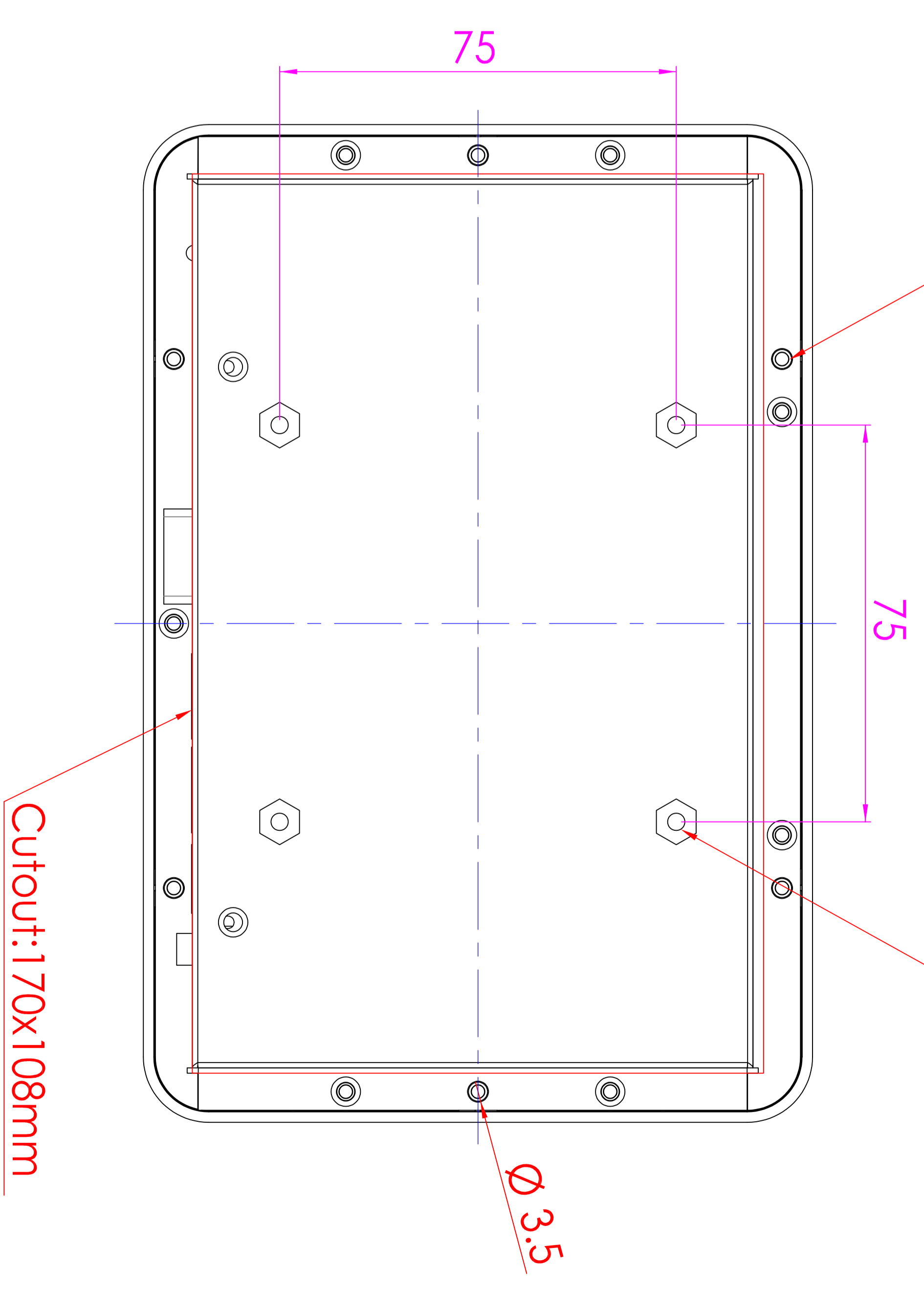


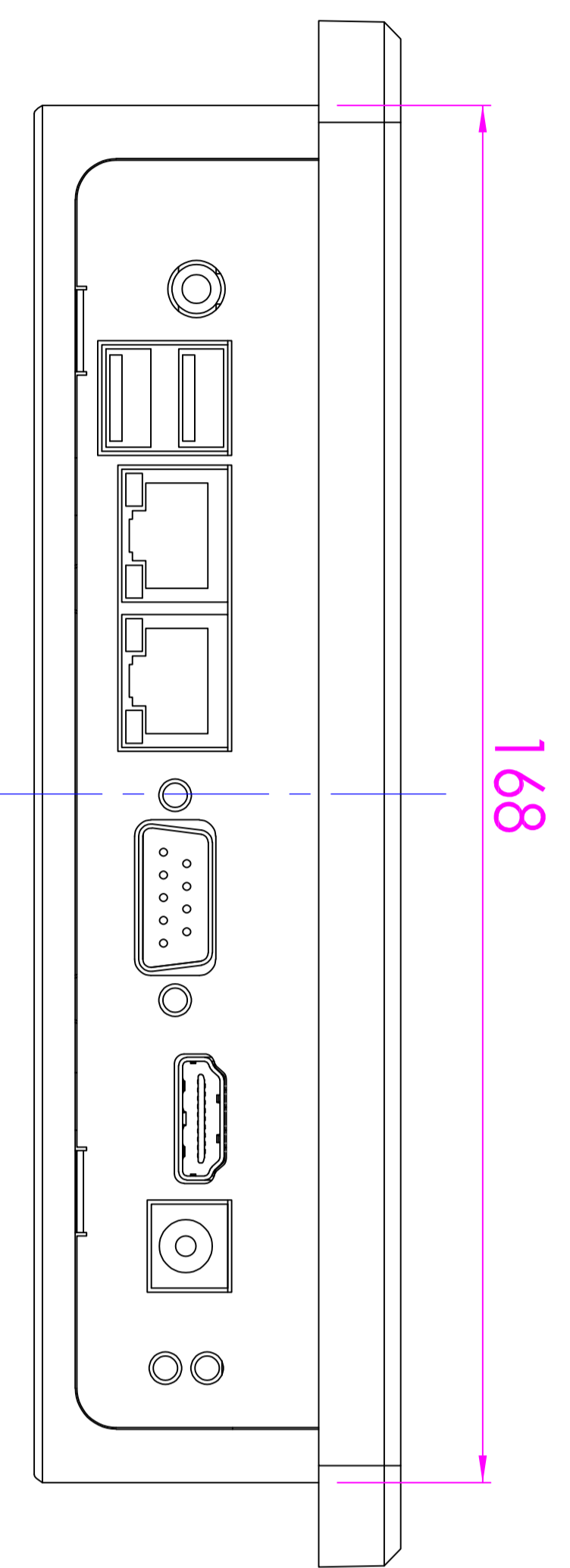
6-M3 Panel mount NUT L=6
Screw= M3x L10

4-M4 VESA L=6



Note :

Touch+Panel : ST70IPS1024600-C-DE090



MARK		DATE		REVISION RECORD		REVISER		ECN NO.	
TOLERANCE		±0.10	APPROVED:	SCALE	1:1	UNIT	mm		
0mm-15mm	±0.10	Romy	CHECKED:	MATERIAL:					
15mm-30mm	±0.10	Romy	VERSION:	FINISH:					
30mm-50mm	±0.15	Romy	ABOVE 120mm	DRAWING:					
50mm-120mm	±0.20	Romy	CENTER	REVISION NOTE:					
ABOVE 120mm	±0.25	Romy	ANGLER	Rev 1.00					
±0.10	±0.50°	Romy	2022/12/28						

輔晨有限公司

TEL: Line ID:

品名: FES070E7-CJ

规格: Main Board : ZC35-1900DL

DWG NO. A1