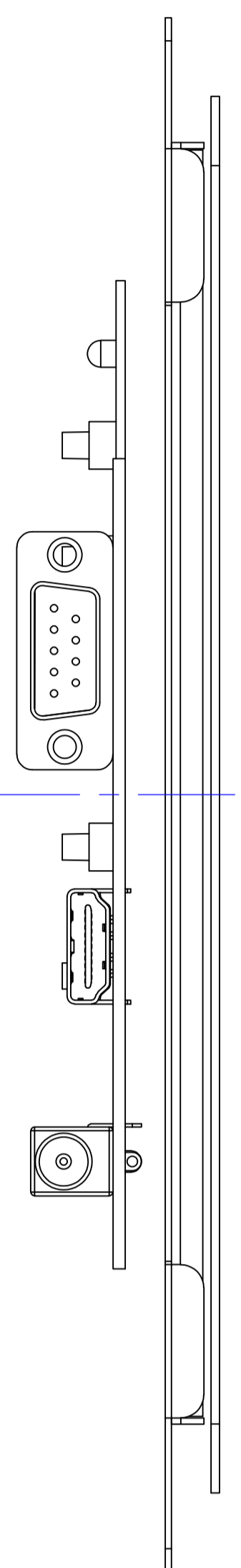


Note :

Touch+Panel : ST70IP51024600-C-DE090



MARK	DATE	REVISION RECORD	REVISER	ECN NO.
REVISION				
TOLERANCE		APPROVED:	SCALE	UNIT
0mm-15mm	±0.10	Romy	1:1	mm
15mm-30mm	±0.10	CHECKED:	MATERIAL:	
30mm-50mm	±0.15	Romy		
50mm-120mm	±0.20	VERSION:	FINISH:	
CENTER	±0.25	Romy 2022/09/23		
ANGLER	±0.10	DRAWING:	REVISION NOTE:	
	±0.50°	Romy 2022/09/23	Rev 1.00	

輔晟科技有限公司

TEL:886-4-2296-9886 FAX:886-4-2296-9887

品名: FBD070E1-N6

規格: AD Board : FBD4666

DWG NO.

A1