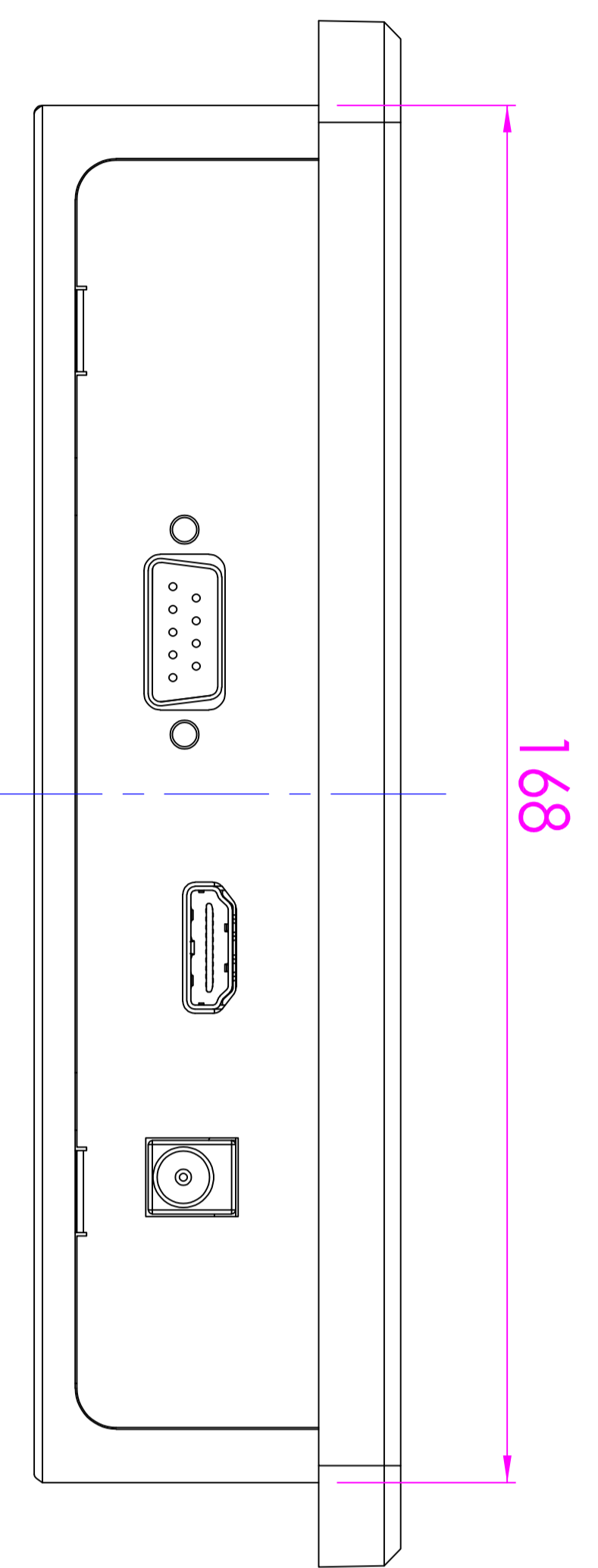


6-M3 Panel mount NUT L=6
Screw= M3x L10

Note :

Touch+Panel : ST70IPS1024600-C-DE090



MARK		DATE		REVISION RECORD		REVISER		ECN NO.	
TOLERANCE		±0.10	APPROVED:	SCALE	1:1	UNIT	mm	輔晨有限公司	
0mm-15mm	±0.10	Romy	CHECKED:	MATERIAL:	TEL: 品名: Line ID:				
15mm-30mm	±0.10	Romy	VERSION:	FINISH:	FAD07/0E7-N6 规格:				
30mm-50mm	±0.15	Romy	ABOVE 120mm	DRAWING:	AD Board : FBD4666				
50mm-120mm	±0.20	Romy	CENTER	REVISION NOTE:	DWG NO.				
120mm-180mm	±0.25	Romy	ANGLER	Rev 1.00	A1				