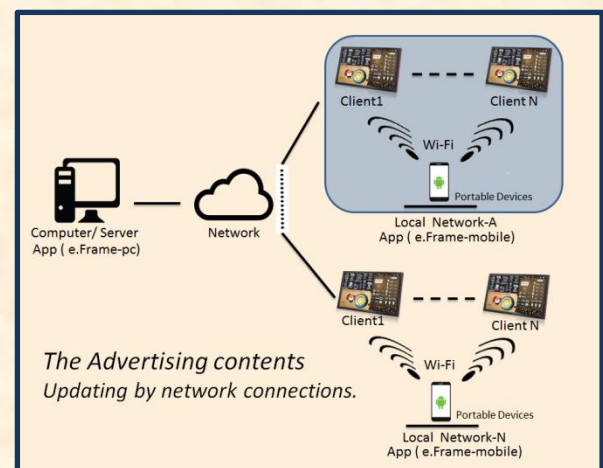
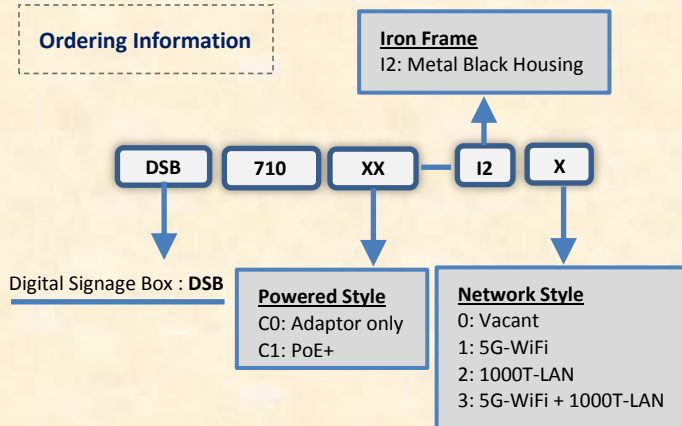


- Provides display via HDMI port.
- It not only a digital signage and also can be a Wi-Fi hotspot for usage.
- Built-in Digital Signage App (e.Frame-host) for stand-alone operation.
- Provides ad template for design reference and Selectable various display block types to easily design personalized ad layout.
ex.: (video, image, scrolling text, real-time)
- Capable to display more than 4 of animated video simultaneously.
- Supported video formats: MPEG-4, AVI, RTSP.
- Supported image formats: JPEG, BMP, PNG, GIF.
- Scheduled Display Functionality: set each ad display time, sleep & resume times.
- Provides free software to edit/update advertising contents.
 - Over Wi-Fi: using App (e.Frame-mobile) on Android device.
 - Over GigE: using App (e.Frame-pc) on Windows PC.

| | |
|----------------------------|-----------------------------------------------------------------|
| Model Number | DSB710 |
| HDMI Resolution | Up to 1920 x 1200 |
| System Memory | 2 GB |
| Flash Memory | 8GB (Default) / 16GB / 32GB |
| Updating Method | GigE/ Wi-Fi/ U-keyboard & mouse |
| Input/ Output | HDMI, USB 2.0, USB 3.0, Line-out, MIC-in, IR, RJ45, micro SD |
| Power Input | DC 12V or PoE+ (802.3at) |
| Power Consumption | Max 7w @4x video showing simultaneously |
| Product Size (L X W x H) | 207.8 x 118.2 x 25 mm |
| Product Weight | 1 kg |
| Chassis & Frame | Metal Black |



Ordering Information



Linux



Wi-Fi connection



Schedule ad



Android



Video & RTSP



GigE



Synchronization ad